

ITEM NO.	PART NUMBER	DESCRIPTION	QTY.
1	49151	WALL MOUNT BASE COMPLETE	1
2	48310	MOTOR 5.5kW 4POLE-MEC112-H/SHAFT24mm	1
3	48247	FLANGE SOGA 4.0-5.5-7.5kW 4P (47 INTER)	1
4	IPVHT4718000	PUMP VHT4718 R	1
5	48766	NIPPLE 3/8" M BSPT - 1/4" F BSPP	1
6	47105	GAUGE BACK/A 63mm 400bar 1/4" M BSPP 60°S	1
7	PA28016400	Y INTAKE STRAINER - 12BAR 90C	1
8	47016	BRASS TAILPIECE CAP 3/4" F BSPP	1
9	47015-A	BRASS TAILPIECE 3/4" HOSEBARB - 14mm INT	1
10	48439	14.0x24.5x3.0mm THICK RUBBER WASHER	1
11	48957-B	DOL STARTER MS-12D 400V 50Hz 10-15A	1
12	44916-C	ILLUMINATED BURNER SWITCH 400V	1
13	70470	SB6BK mm6 SPIROL BIND BLACK-620mm	1
14	48417-G	NYLON CABLE GLAND BLACK 20mm	3
15	70362-C01	HO5VV-F 4G x 1.5mm² PVC BLACK CABLE-760mm-5 CONNECT	1
16	70508-0500A	HO5VV-F 5G x 0.75mm² PVC BLACK CABLE COMPLETE	1
17	70507	HO5VV-F 4G x 1.5mm² PVC BLACK CABLE COMPLETE-5000mm	1
18	70469	4P 20A INDUSTRIAL 3 PHASE PLUG TOP-WITH GLAND	1
19	46239	SPRING HOSE CLAMP 9.3/9.9	1
20	PA26025050	AR1 B M22 3PCS SCREW-TYPE CPL.-3/8M BSP	1
21	44539-B	DETERGENT HOSE	1
22	46241	2 STEP PLASTIC DET FILTER 1/4" HOSE BARB	1
23	46609	H/P HOSE 10m 3/8FBSPP-3/8F BSPP	1
24	PA30209230	VEGA S3 SS & QR 40l/min 310bar 160°C	1
25	PA41092200	LD9 DUAL LANCE SS 40l/min 250bar 160° C	1
26	70014-6515	HIGH PRESSURE NOZZLE 1/4" M NPT 065 15°	1
27	M0124710120	LOW PRESSURE NOZZLE 600 50° 50bar 150°C	1
28	70050-I	FULL NUT M10 x 1.5 - 6	4
29	70050-F	FULL NUT M8 x 1.25 - 6	4
30	70104-I	SCREW HEX HEAD M6 x 1.00 x 16 -4.8	8
31	70106-P	SCREW HEX HEAD M8 x 1.25 x 25 - 4.6	4
32	70106-Z	SCREW HEX HEAD M8 x 1.25 x 55 - 4.6	4
33	70108-S	SCREW HEX HEAD M10 x 1.50 x 30 - 4.8	4
34	70122-P	SOCKET CAP SCREW M8 x 1.25 x 25 - 12.9	4
35	70142-I	POZI PAN HEAD M5 x 0.8 x 16	2
36	70200-E	FLAT WASHER 6.50 x 13 x 1.20	8
37	70200-I	FLAT WASHER 10.50 x 21 x 1.50	8
38	70200-H	FLAT WASHER 8.50 x 17 x 1.40	8
39	70210-D	INTERNAL TOOTH LOCK WASHER M 6	8
40	70220-F	SPRING LOCK WASHER M8	4
41	70220-H	SPRING LOCK WASHER M10	4
42	20200	OTTICO ORIGINAL/AUSTRALIAN MADE LABEL	1
43	20205	NEW PARTS & SERVICE LABEL	1
44	20222	CAUTION DISCONNECT POWER LABEL	2
45	20240	SERIAL NUMBER LABEL	1
46	20241	MODEL LABEL	1
47	20253	NEW SPITWATER LOGO SMALL	1
48	20242	PACKAGING LABEL	2
49	48655	PACKAGING HP251A HP201SAE HP2215DEL	1
50	48656	PALLET HP251/A-201SAE-HP201DEH	1
51	IPZKMSG1X000	AUTOM.PRESS.REG. SETMATIC 1 M22X1.5 STOP&GO	1
52	46615	REDUCING NIPPLE 3/4" M BSPT - 1/2" M BSPT	1
53	48335	NIPPLE 3/4" M BSPT-3/4" M BSPT	1
54	48896-A	GEWISS ENCLOSURE 100 x 100 x 80mm IP56	1
55	70120-I	SOCKET CAP SCREW M6 x 1.00 x 16 - 12.9	2
56	70200-D	FLAT WASHER 5.2 x 12 x 1	2
57	48417-E	NYLON CABLE GLAND BLACK 16mm	2
58	48434	RUBBER GROMMET (8X14X20X7X1.5).HOLE 8mm	1
59	47210-A	THERMOSTAT	1
60	49152-A	COVER COMPLETE	1
61	49153	SWITCH SUPPORT	1
62	70595	BLACK PINCH WELD 1.5mm - 560mm LONG	1
63	I93641500	TIMER CIRCUIT 400V 50/60 HZ	1
64	47210-A	ADJ. THERMOSTAT 1000mm LONG 30-150° C	1
65	70411-0200A	HO5V-K 1 x 0.75mm² BLUE COMPLETE	1
66	70412-0300A	HO5V-K 1 x 0.75mm² BROWN COMPLETE	3
67	70411-0080A	HO5V-K 1 x 0.75mm² BLUE COMPLETE	2
68	70412-0150E	PVC CABLE BROWN COMPLETE	1
69	47211-01	SUMP PLUG 1/2" M BSPP -M14x1	1
70	I96751400	WASHER 21.5X27X1.5	1

REV.	SERIAL NUMBER/AMENDMENT	CHK BY.	APP	DATE
F	18135530	Gal base changed to SS base	HS	2/11/2021
E	18125767	REMOVED 44440/02. REPLACED 46217 WITH M0124710120	P.S	28/04/2020
D	18123475	THERMOSTAT POSITION CHANGED. 49156 WAS REPLACED WITH PA28016400. ADDED 47211/01	P.S	28/11/2019
C	18122412	IPA137 WAS REPLACED WITH IPZKMSG1X000 AND 48416/A WAS REPLACED WITH IP93641500	P.S	27/9/2019
B	16105157	46623-PLASTIC ENCLOSURE CHANGED	R.D	21/06/2016
A		ISSUED FOR CONSTRUCTION		12/04/2016

DATE	NAME
APPROVED	
CHECKED	
DRAWN	28/07/2022 Harry

SCALE 1:4

THIRD ANGLE

DO NOT SCALE DRAWING

**SPITWATER AUSTRALIA**

HEAD OFFICE AND MANUFACTURING PLANT  
 953 METRY STREET, ALBURY,  
 NSW 2640, AUSTRALIA  
 PH. 02 60257255 FAX. 02 60401187  
 E-MAIL: enquiries@spitwater.com  
 WEB SITE: www.spitwater.com

DESCRIPTION:  
 HT18160E GT 18L/M 160BAR 400-50-3 GALVANISED  
 FRAME & TIMING DEVICE

MATERIAL:

TIME OF PRODUCTION:

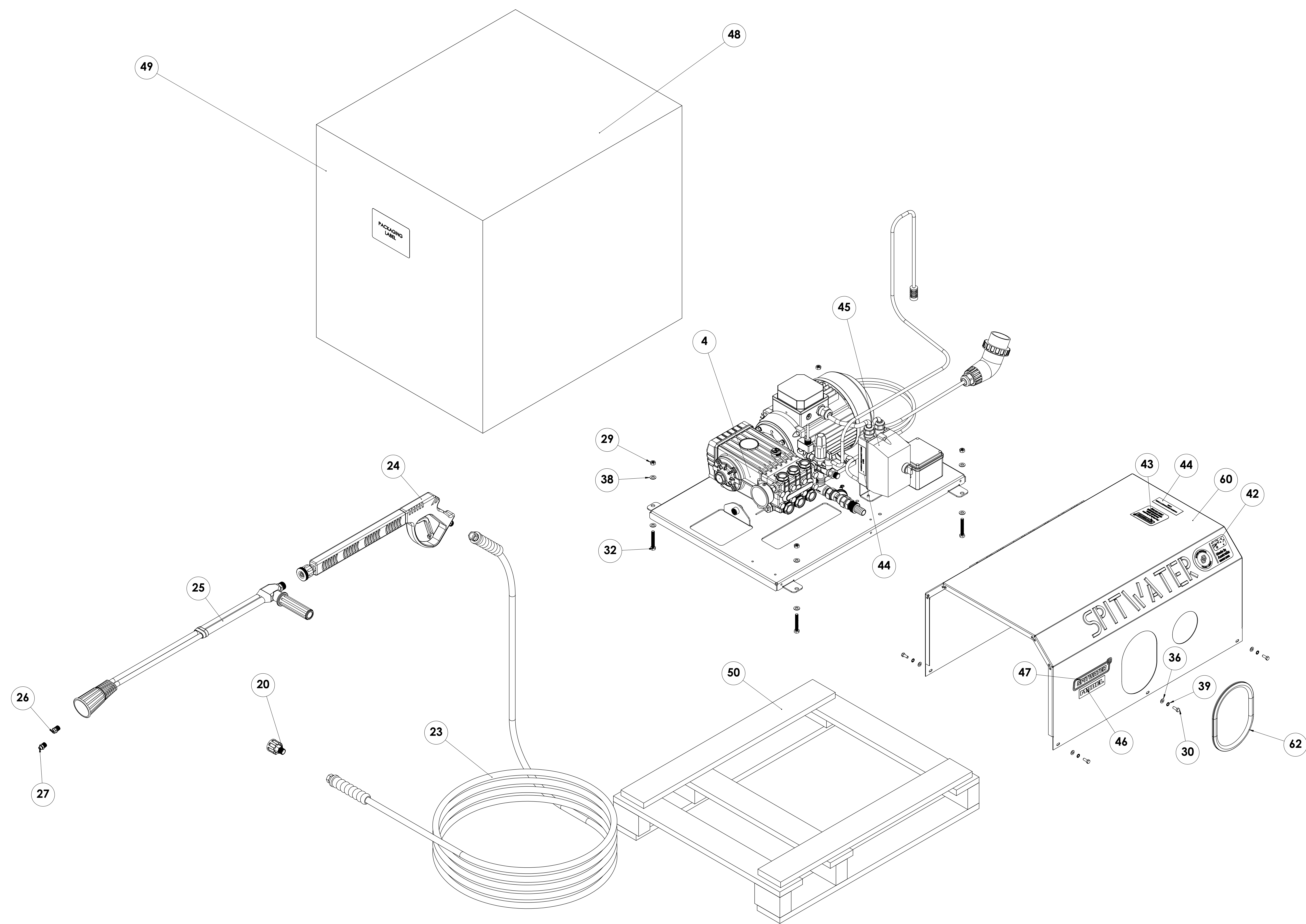
ATOT:  
 FINISH:

PART No.  
**SCW83-G**

QTY: -

**SHEET 1 OF 4**





REV.	SERIAL NUMBER/AMENDMENT	DESCRIPTION	CHK BY.	APP	DATE
F	18135530	Gal base changed to SS base	HS		2/11/2021
E	18125767	REMOVED 44440/02. REPLACED 46217 WITH M0124710120	P.S		28/04/2020
D	18123475	THERMOSTAT POSITION CHANGED. 49156 WAS REPLACED WITH PA28016400. ADDED 47211/01	P.S		28/11/2019
C	18122412	IPA137 WAS REPLACED WITH IPZKMSG1X000 AND 48416/A WAS REPLACED WITH IP93641500	P.S		27/9/2019
B	16105157	46623-PLASTIC ENCLOSURE CHANGED	R.D		21/06/2016
A		ISSUED FOR CONSTRUCTION			12/04/2016

NOTES:

	DATE	NAME
APPROVED		
CHECKED		
DRAWN	28/07/2022	Harry

DO NOT SCALE DRAWING

SCALE  
1:4

THIRD ANGLE

**SPITWATER AUSTRALIA**

HEAD OFFICE AND MANUFACTURING PLANT  
953 METRY STREET, ALBURY,  
NSW 2640, AUSTRALIA  
PH. 02 60257255 FAX. 02 60401187  
E-MAIL: enquiries@spitwater.com  
WEB SITE: www.spitwater.com

DESCRIPTION:  
HT18160E GT 18LM 160BAR 400-50-3~  
GALVANISED FRAME & TIMING DEVICE

MATERIAL:

TIME OF PRODUCTION:

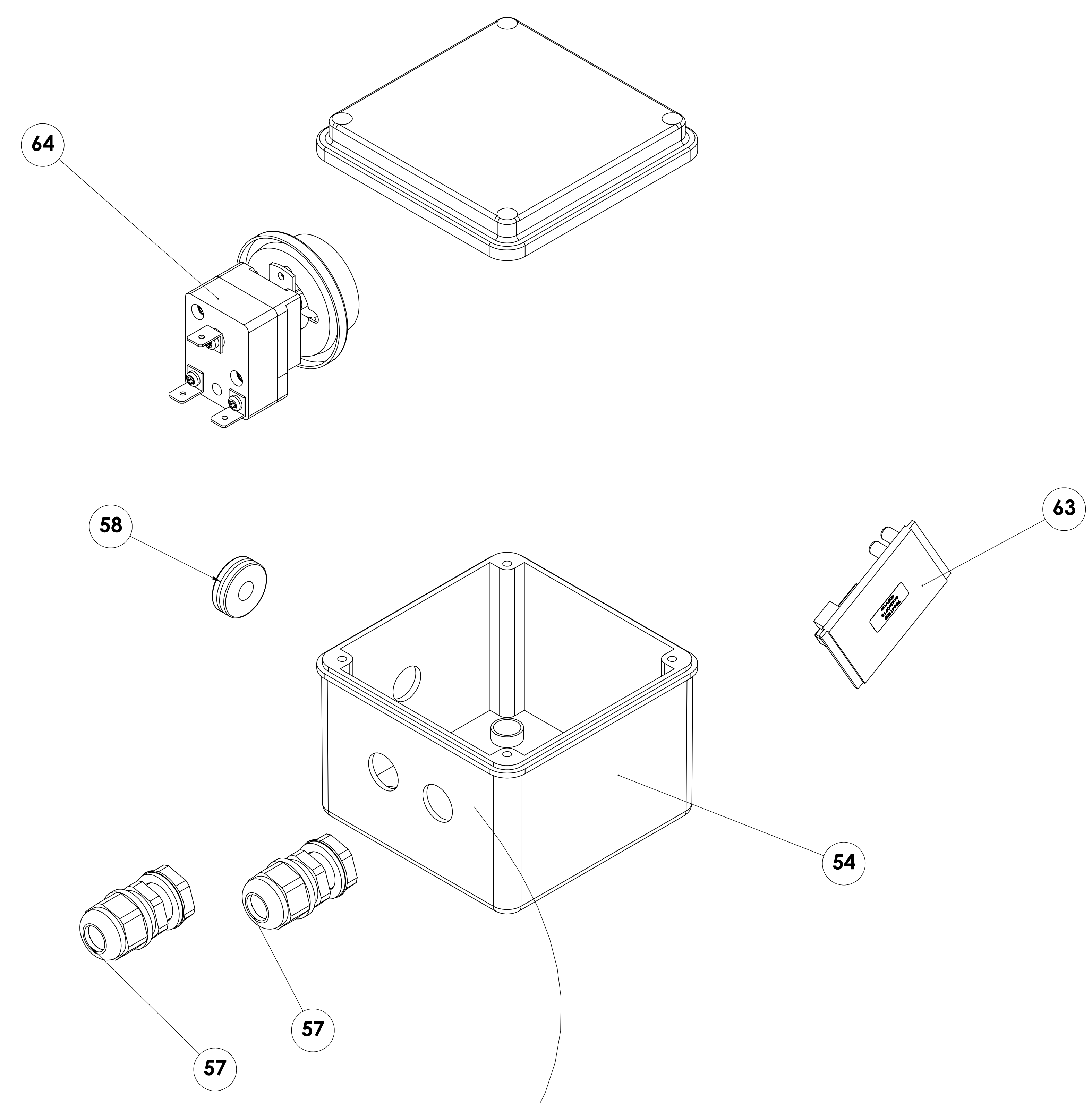
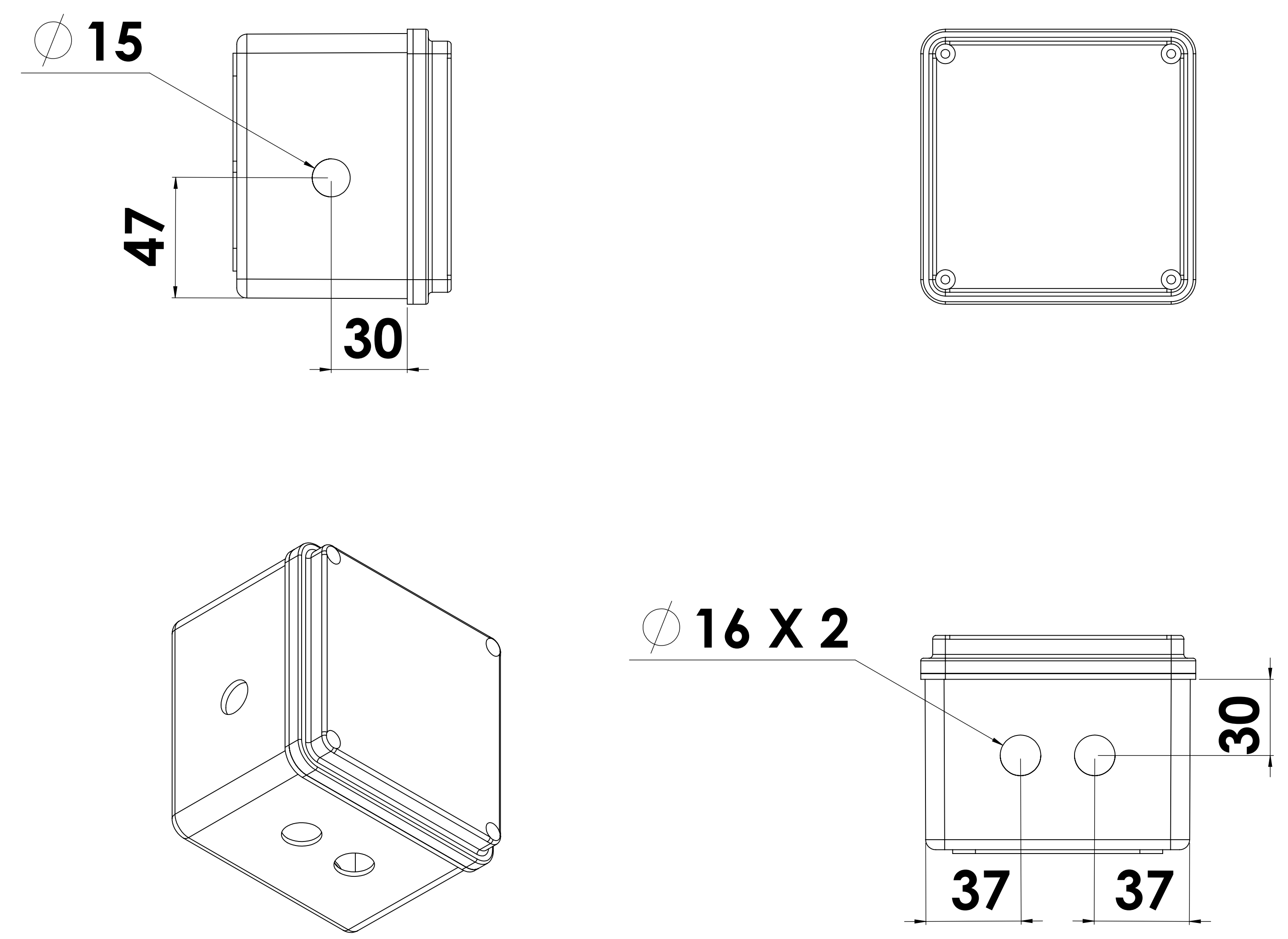
ATOT:-  
FINISH:

PART No.  
**SCW83-G**

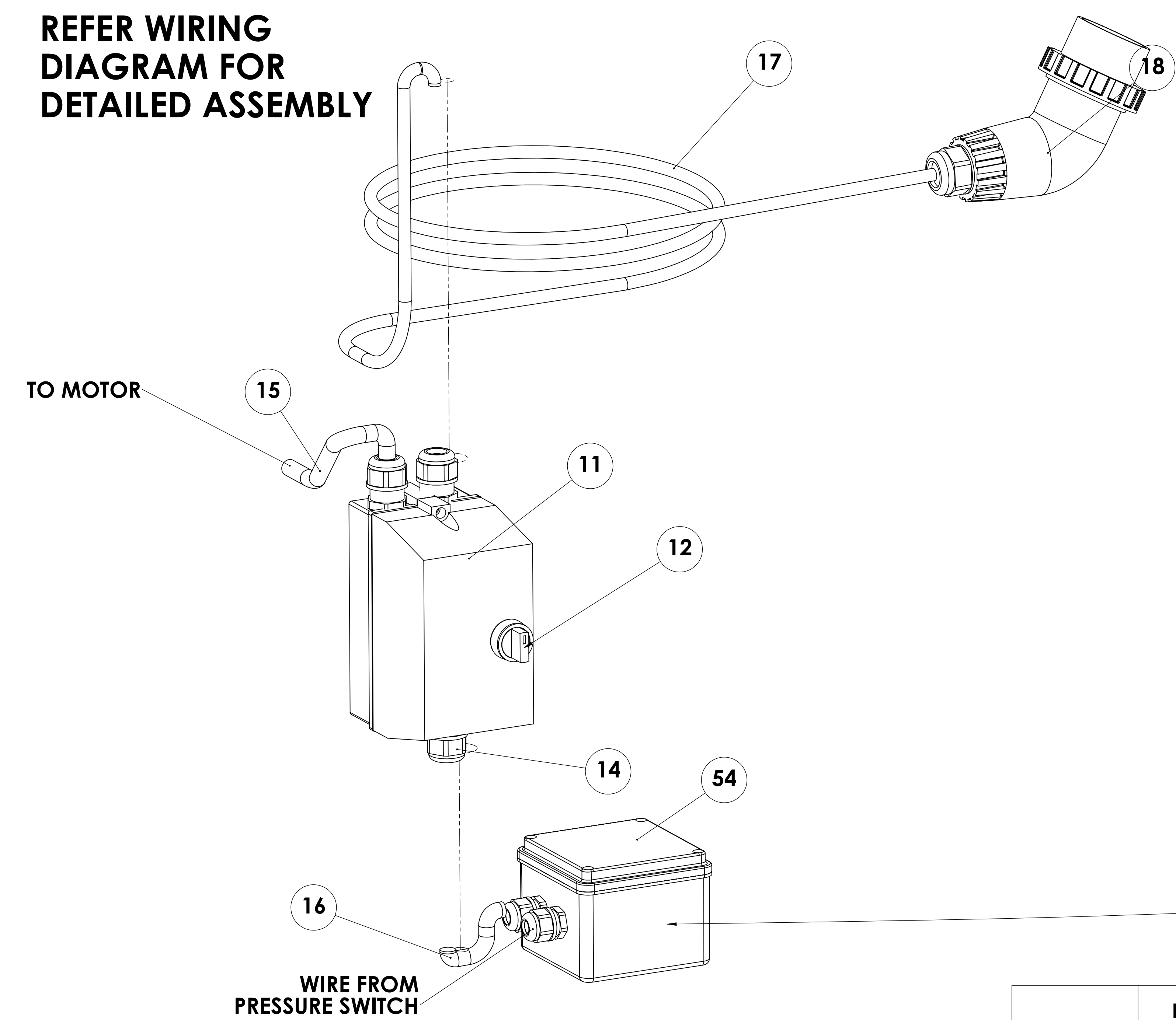
QTY: -

**SHEET 2 OF 4**





**REFER WIRING DIAGRAM FOR DETAILED ASSEMBLY**



REV.	SERIAL NUMBER/AMENDMENT	DESCRIPTION	CHK BY.	APP	DATE
F	18135530	Gal base changed to SS base	HS		2/11/2021
E	18125767	REMOVED 44440/02. REPLACED 46217 WITH M0124710120	P.S		28/04/2020
D	18123475	THERMOSTAT POSITION CHANGED. 49156 WAS REPLACED WITH PA28016400. ADDED 47211/01	P.S		28/11/2019
C	18122412	IPA137 WAS REPLACED WITH IPZKMSG1X000 AND 48416/A WAS REPLACED WITH IP93641500	P.S		27/9/2019
B	16105157	46623-PLASTIC ENCLOSURE CHANGED ISSUED FOR CONSTRUCTION	R.D		21/06/2016
A					12/04/2016

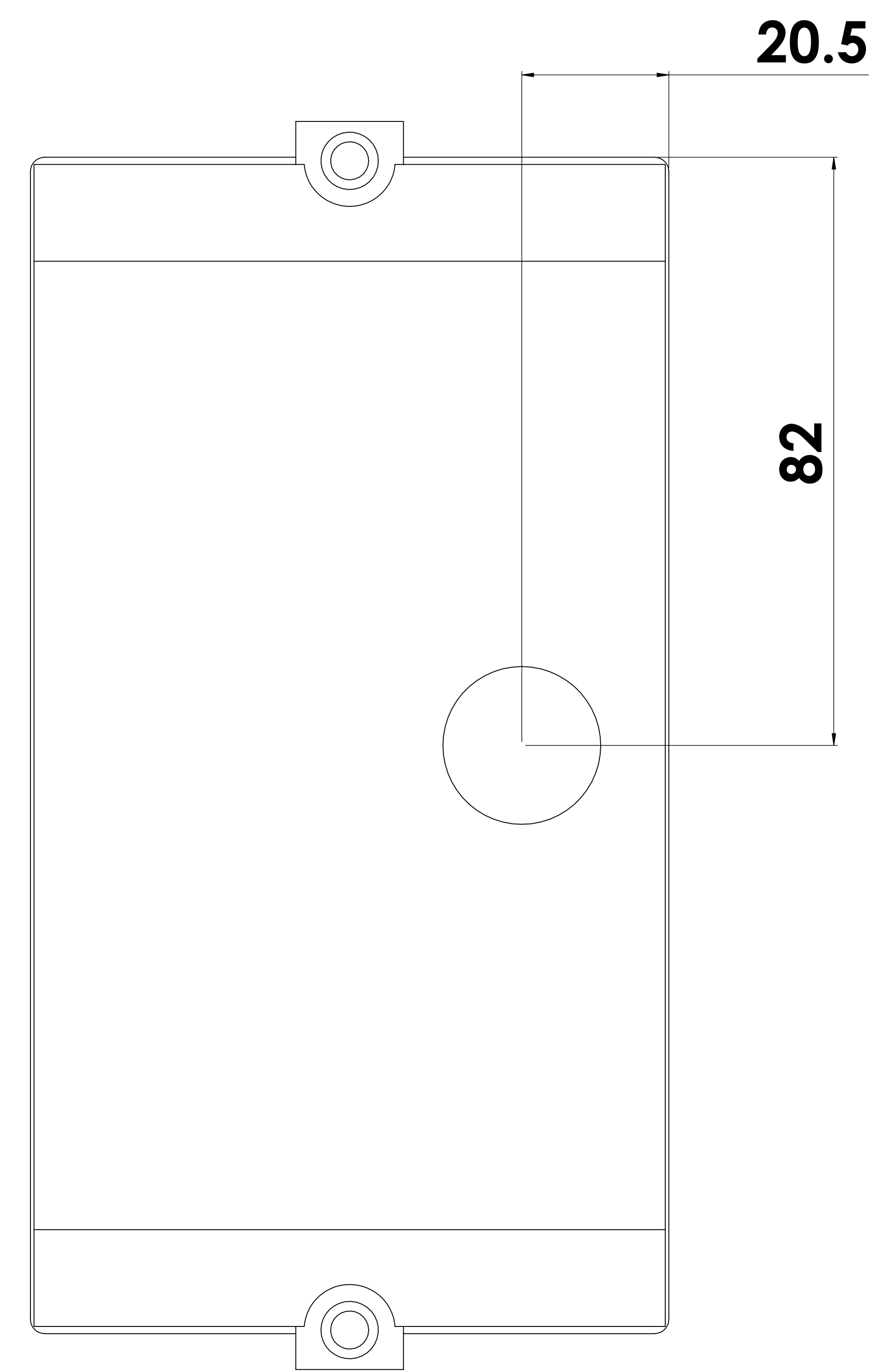
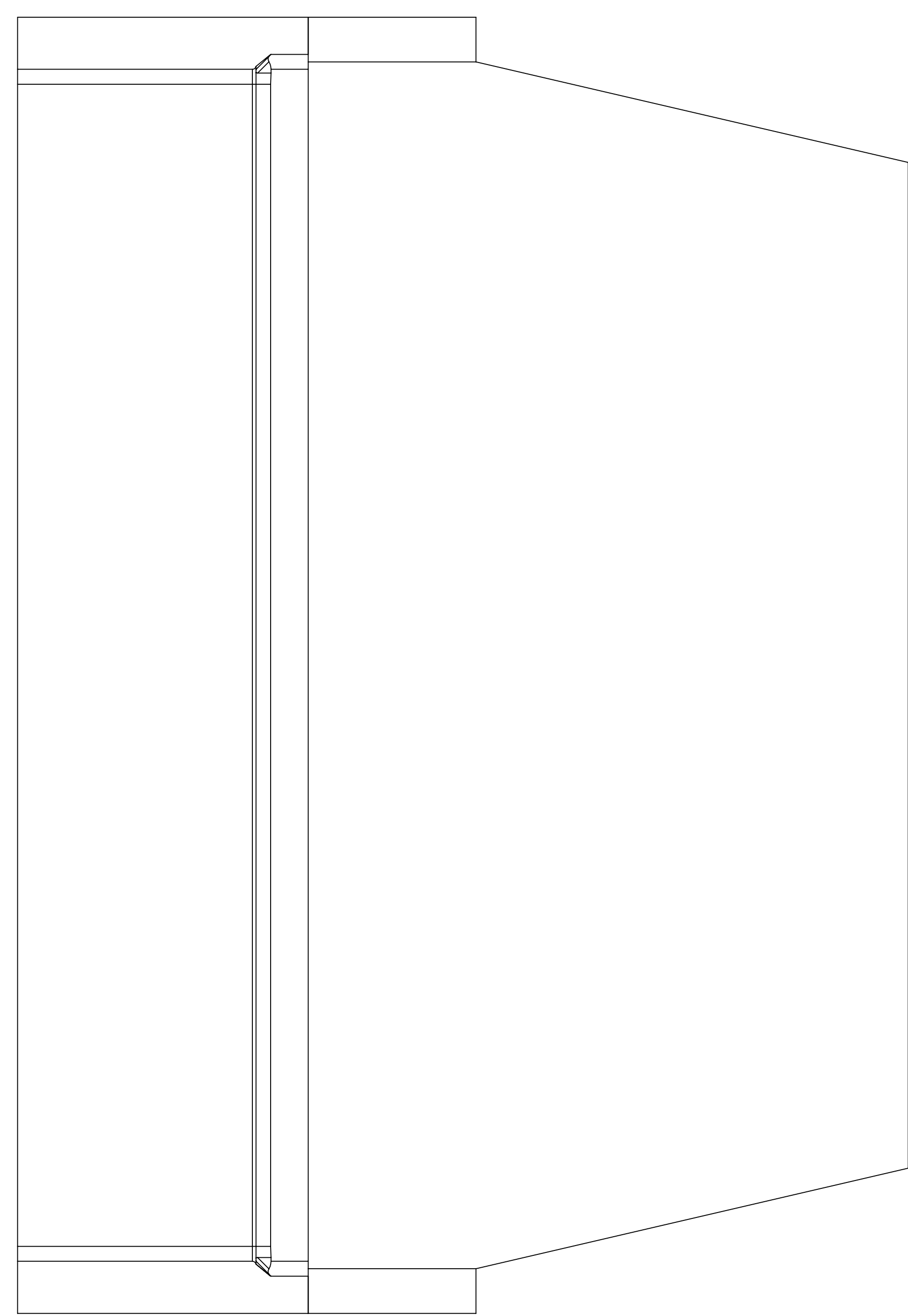
	DATE	NAME
APPROVED		
CHECKED		
DRAWN	28/07/2022	Harry

SCALE 2:1  
 THIRD ANGLE

**SPITWATER AUSTRALIA**  
 HEAD OFFICE AND MANUFACTURING PLANT  
 953 METRY STREET, ALBURY,  
 NSW 2640, AUSTRALIA  
 PH. 02 60257255 FAX. 02 60401187  
 E-MAIL: enquiries@spitwater.com  
 WEB SITE: www.spitwater.com

<b>DESCRIPTION:</b> 48898 ENCLOSURE - MACHINED FOR SCW83-G		<b>PART No.</b> <b>SCW83-G</b>
<b>MATERIAL:</b>		<b>QTY:</b> -
<b>TIME OF PRODUCTION:</b>	<b>ATOT:-</b>	<b>SHEET 3 OF 4</b>
	<b>FINISH:</b>	

DO NOT SCALE DRAWING

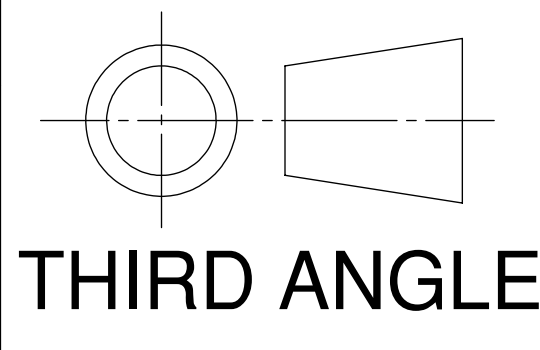


NOTES:

	DATE	NAME
APPROVED		
CHECKED		
DRAWN	28/07/2022	Harry

DO NOT SCALE DRAWING

SCALE  
2:1



**SPITWATER AUSTRALIA**

HEAD OFFICE AND MANUFACTURING PLANT  
953 METRY STREET, ALBURY,  
NSW 2640, AUSTRALIA  
PH. 02 60257255 FAX. 02 60401187  
E-MAIL: enquiries@spitwater.com  
WEB SITE: www.spitwater.com

DESCRIPTION: HT18160E GT 18L/M 160BAR 400-50-3  
GALVANISED FRAME & TIMING DEVICE  
48957-B

MATERIAL:

TIME OF PRODUCTION: ATOT:-  
FINISH:

PART No.  
**SCW83-G**

QTY: -

**SHEET 4 OF 4**